



## FRAMED LIFT COVER FOR LIFT TABLES/SCISSOR LIFTS

### NEW - FRAMED LIFT COVER DESIGN\*

Precision engineered aluminum extrusions are shaped to provide structure and strength to a durable, folded material. Its innovative, cost-effective design provides significant advantages over the traditional stitched covers that utilize steel rods which must be inserted into the fabric.

\*Patent Pending



### FEATURES/SPECIFICATIONS:

- Durable, folded material encloses aluminum frame structure
- Standard material: 18 oz. yellow PVC/nylon, 0.021" nominal thickness, with black corners.
- Custom materials available for special applications
- Several color options available
- End mounting configuration: standard flange/ inside collar; alternative options available
- Vented corners and a zipper is standard.
- If a more sealed cover is required such as in a washdown application, covers can be manufactured without vents or zipper. In this case, customer should provide alternative cover venting.

### BENEFITS

- **Reduced Assembly Time and Freight Cost:**  
Pre-assembled covers are folded for shipping, then easily unfolded for assembly. This reduces assembly time by eliminating the need to insert steel rods.
- **Smooth Operation:**  
Corner venting optimized to accommodate rapidly rising and descending lifts
- **Strong Structure Without Steel Rods:**  
Aluminum frame provides a stiffer, more supportive structure than typical steel rod configuration. Eliminates rusty metal rods protruding from cover ends.

# QUOTE REQUEST

## LIFT TABLE / SCISSORS MECHANISM COVERS



Date \_\_\_\_\_  
 Quantity \_\_\_\_\_  
 Company Name \_\_\_\_\_  
 Contact \_\_\_\_\_

Address \_\_\_\_\_  
 City \_\_\_\_\_ State/Province \_\_\_\_\_  
 Country \_\_\_\_\_ Zip/Postal Code \_\_\_\_\_  
 Telephone \_\_\_\_\_ Fax \_\_\_\_\_  
 Email \_\_\_\_\_

### 1. APPLICATION / ENVIRONMENT

- Bellows For:**  Replace Existing Cover  New Cover Design
- Please Select:**  Clean Room\*  Antimicrobial Agents\*  Sparks  Grease
- Washdown\*  Fire Retardant\*  Protective Cover  Tilt (Please specify degree of tilt: \_\_\_\_\_)
- Lateral (Shear) Movement\* (Please send sketch of movement)  Other \_\_\_\_\_

\*Gorframe is used in applications involving lateral (shear) movement, washdown, clean room, or where materials must meet specifications, such as fire retardant or antimicrobial.

### 2. COVER CONSTRUCTION TYPE

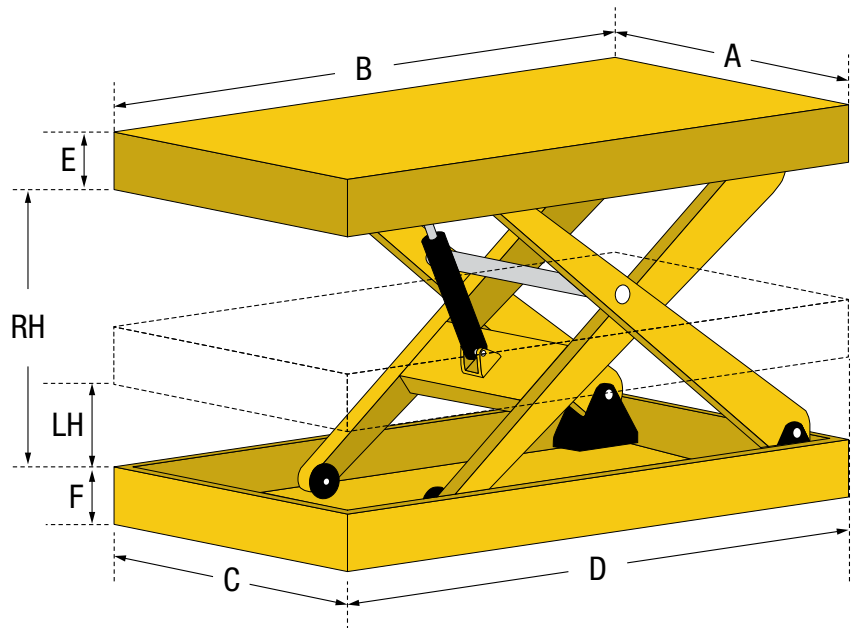
- Cover Type:**  Framed  Duratite®  Gorframe™  Sewn

A&A recommends the Framed Lift Cover for most applications.

### 3. LIFT TABLE DIMENSIONS

**Please specify unit of measurement:**  inches  millimeters

- A.** Table Width: \_\_\_\_\_  
**B.** Table Length: \_\_\_\_\_  
**C.** Base Width: \_\_\_\_\_  
**D.** Base Length: \_\_\_\_\_  
**E.** Table Height: \_\_\_\_\_  
**F.** Base Height: \_\_\_\_\_  
**RH.** Raised Height: \_\_\_\_\_  
**LH.** Lowered Height: \_\_\_\_\_



### 4. COVER OPTIONS

Please check options desired

- Venting

(Vents are required if base and table mounts do not allow for air exhaust. Framed Lift Covers already incorporate a venting system.)

- Maintenance Straps

(Allows routine maintenance without entire removal of cover by holding cover to the top of the lift.)

⇒ SEE NEXT PAGE FOR COVER MOUNTING OPTIONS

# QUOTE REQUEST

## LIFT TABLE / SCISSORS MECHANISM COVERS

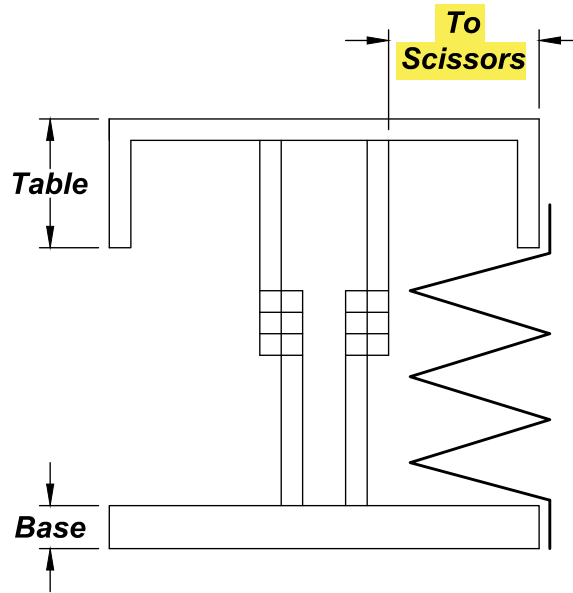


### 5. MOUNTING OPTIONS

Please choose select inside or outside mount, and fill in applicable dimensions in diagram below.

- Inside Mount** (Please provide clearance to scissors mechanism: \_\_\_\_\_)
  - Reinforced PVC Strips
  - Integrated Metal Flange
  - Fabric pocket/loop
  - Velcro Strips
  - Special (please provide drawing)

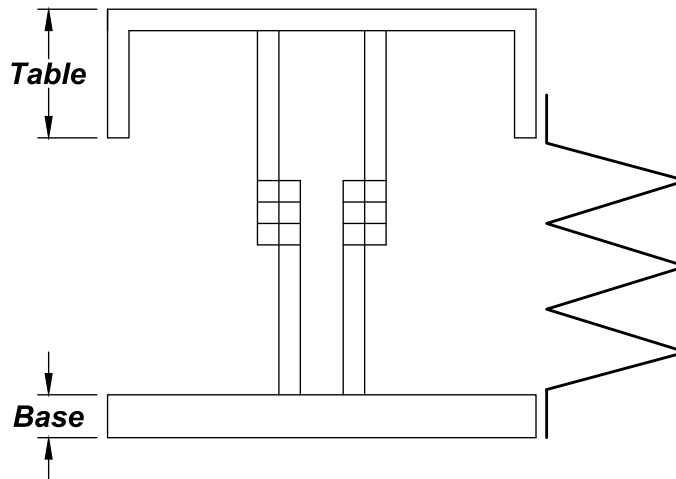
#### INSIDE MOUNT



- Outside Mount**

- Reinforced PVC Strips
- Integrated Metal Flange
- Fabric pocket/loop
- Velcro Strips
- Special (please provide drawing)

#### OUTSIDE MOUNT



⇒ **PLEASE SEND THE COMPLETED FORM TO:**  
Fax: 262-786-3280 or Email: [sales@aaman.com](mailto:sales@aaman.com)

Gortite Div. of A&A Manufacturing  
2300 S. Calhoun Rd. • New Berlin, WI 53151  
Phone: (262) 786-1500 or (800) 298-2066  
Email: [sales@aaman.com](mailto:sales@aaman.com) • [www.gortite.com](http://www.gortite.com)